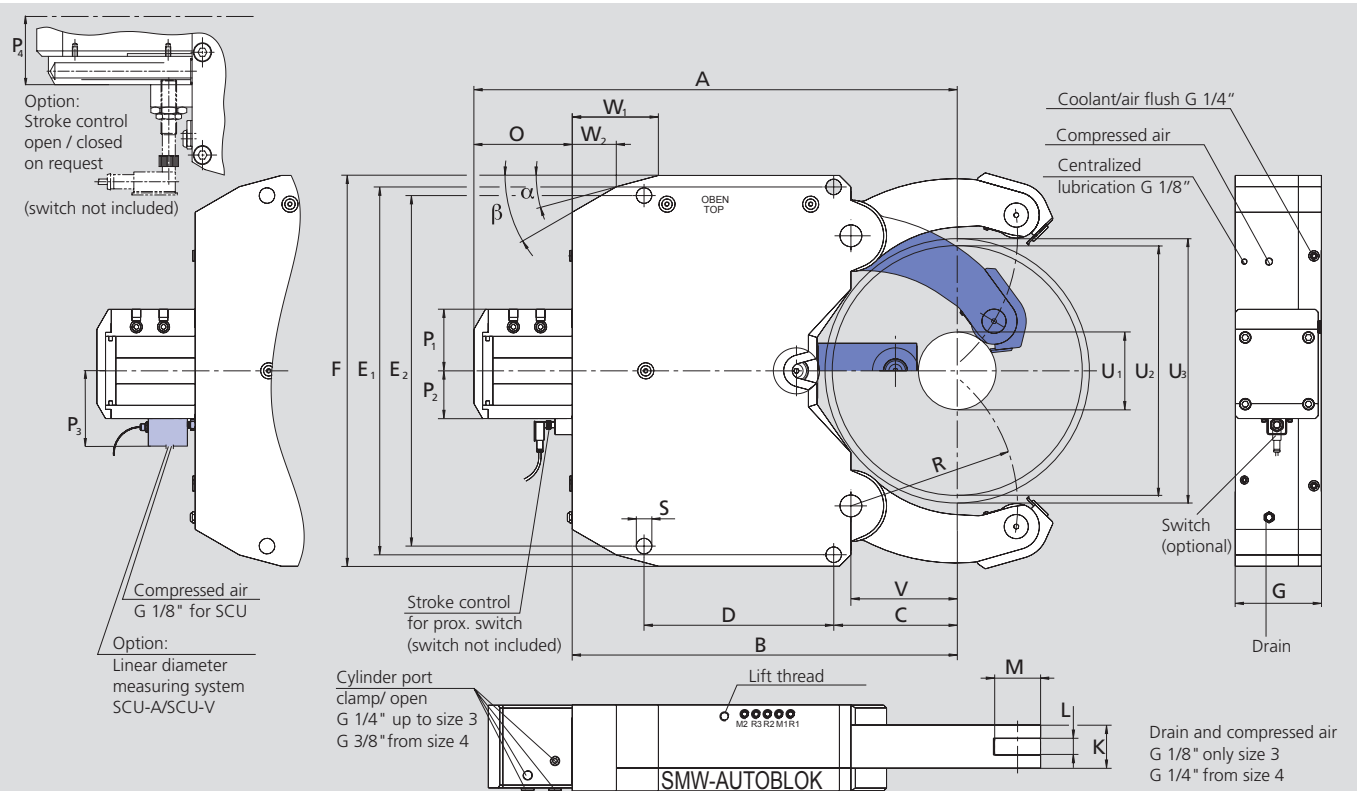


- Sealed body
- Integrated coolant flush
- Stroke control unit or proximity switches



Subject to technical changes  
For more detailed information please ask for customer drawing

SMW-AUTOBLOK Type		K 3	K 4	K 4.1	K 5	K 5.1	K 6	K 6.1
Centering range	U <sub>1</sub>	65	52	90	80	100	135	215
	U <sub>2</sub>	235	280	330	390	410	460	510
	U <sub>3</sub>	242	285	331	404	424	464	512
	A	443	582	612	753	763	816	815.5
	B	355	480	490	607	617	670	680
	C	150	168	198	230	240	215	245
	D	140	180	180	240	240	330	300
	E <sub>1</sub>	312	360	360	445	445	640	640
	E <sub>2</sub>	312	360	360	445	445	610	610
	F	345	400	400	485	485	680	680
	G	105	125	125	150	150	150	150
	K	45	60	60	75	75	75	75
	L	25	25	25	29	29	29	29
	M	47	52	52	62	62	80	80
	O	88	122	122	146	146	146	135.5
	P <sub>1</sub>	92	91	91	97	97	107	107
	P <sub>2</sub>	62	67	67	73	73	83	83
	P <sub>3</sub>	111	116	116	122	122	132	132
	P <sub>4</sub>	-	91	91	97	97	107	107
	R	155	200	228	265	275	290	310
	S	18	23	23	23	23	27	27
	V	115	140	170	195	205	185	215
	W <sub>1</sub>	50	110	110	130	130	150	155
	α	15°	15°	15°	15°	15°	15°	20°
	W <sub>2</sub>	10	59.8	59.8	50.6	50.6	77	87.1
	β	30°	30°	30°	30°	30°	30°	30°
Piston area*	cm <sup>2</sup>	38.5	63	63	78	78	113	113
Operating pressure min./max.	bar	8/80	8/70	8/70	8/80	8/80	8/80	8/80
Max. clamping force/roller	daN	1000	1500	1500	2000	2000	3000	3000
Centering accuracy within the whole range	mm	0.05	0.06	0.06	0.07	0.07	0.07	0.07
Repeatability accuracy	mm	0.007	0.007	0.007	0.01	0.01	0.01	0.01
Max. roller surface speed	m/min.	725	715	715	600	600	560	560
Weight approx.	kg	64	114	116	209	209	335	330

\* Cylinders differing from standard available on request

- Ordering review
- Accessories and wearing parts

### K Steady Rest with stroke control Steady Rest open via proximity switch (without proximity switch)\*\*\*

Steady Rest size		3	4	4.1	5	5.1	6	6.1
<b>K-M</b> manual lubrication	Id. No.	127251	129901	129121	127485	127559	127491	127497
<b>K-Z</b> central lubrication	Id. No.	127252	129900	129120	127484	127558	127490	127496
<b>K-OLD</b> central lubrication oil + air	Id. No.	127253	129902	129122	127486	127560	127492	127498
<b>K-F</b> central grease lubrication	Id. No.	220200	129903	129400	on request	221100	on request	on request

### K Steady Rest with stroke control via linear stroke control SCU-A, output 4–20 mA

Steady Rest size		3	4	4.1	5	5.1	6	6.1
<b>K-M</b> manual lubrication	Id. No.	127266	221401	221409	124981	124984	124987	124990
<b>K-Z</b> central lubrication	Id. No.	127265	221400	221408	124980	124983	124986	124989
<b>K-OLD</b> central lubrication oil + air	Id. No.	127267	221402	221410	124982	124985	124988	124991
<b>K-F</b> central grease lubrication	Id. No.	on request	221403	221411	on request	on request	on request	on request

### K Steady Rest with stroke control via linear stroke control SCU-V, output 1–10 V

Steady Rest size		3	4	4.1	5	5.1	6	6.1
<b>K-M</b> manual lubrication	Id. No.	127269	221405	221413	125120	125123	125126	125129
<b>K-Z</b> central lubrication	Id. No.	127268	221404	221412	125119	125122	125125	125128
<b>K-OLD</b> central lubrication oil + air	Id. No.	127270	221406	221414	125121	125124	125127	125130
<b>K-F</b> central grease lubrication	Id. No.	on request	221407	221415	on request	on request	on request	on request

## Type K

■ denotes features included in standard range **without extra charge**

Steady Rest size		3	4	4.1	5	5.1	6	6.1
Fully sealed body		■	■	■	■	■	■	■
Safety valve		■	■	■	■	■	■	■
Stroke control		■	■	■	■	■	■	■
1 set swarf guard 3-piece		■	■	■	■	■	■	■
1 set cylindrical rollers		■	■	■	■	■	■	■
Port for compressed air		■	■	■	■	■	■	■
Port for coolant through arms incl. chipguard		■	■	■	■	■	■	■

## Type K

◆ denotes wearing parts, recommended stock items

Steady Rest size		3	4	4.1	5	5.1	6	6.1
Compact lubrication system for oil pressure lubrication Container 2.7 l, 220 V *,**		088707	088707	088707	088707	088707	088707	088707
Compact lubrication system for oil + air lubrication Container 2.7 l, 220 V *,**		088708	088708	088708	088708	088708	088708	088708
Eccenter fine adjustment compl. at lever arm (2 pcs. per Steady Rest) manual/central lubrication		127240	128474	128474	125612	125612	124894	124894
Inductive limit switch		087926	087926	087926	087926	087926	087926	087926
Swarf guard coolant/air with wiper		124024	125797	125797	125816	125816	125837	125837
Wiper for swarf guard coolant/air	◆	124026	126904	126904	126888	126888	126694	126694
Roller stripper for middle piece	◆	198950	200151	200151	196200	196200	196201	196201
Rollers, cylindrical design	◆	016951	016953	016953	018345	018345	026594	026594
Rollers spherical design for travelling Steady Rest	◆	018433	018443	018443	019545	019545	121302	121302
Adjustment device 1 set = 3 pcs.		200178	200179	200179	200179	200179	200179	200179

\* When placing an order, please advise voltage

\*\* On request 110 V available

\*\*\* Stroke control open / closed on request